

SimplyBrilliant® US11-40-W is a UPB Dimming Transceiver Switch with timer option and a single white rocker faceplate. Almond, Light Almond, Ivory, Black or Brown faceplates (model ZS11 Series) are available and easily changed in the field. The US11-40 provides ultra-reliable control of new and existing lighting fixtures, lamps, fans and other electrical devices. Each unit has one switch that controls a load of up to 900W. It can also transmit and receive lighting scene commands with other Universal Powerline Bus (UPB) switches, plug-in modules, fixture modules and/or other devices – to control virtually anything that connects to AC power wiring anywhere in the home.

### Advantages

- No new wires
  - ▶ Communicates over existing power lines
  - ▶ Transmits and receives UPB lighting scenes
- UPB technology delivers...
  - ▶ Exceptional reliability and noise immunity
  - ▶ Lowest installed cost compared to hardwired and RF solutions
  - ▶ No interference between adjacent homes
- Easily configured or reconfigured with **UPStart** (PC) software
  - ▶ makes changing lighting scenes and control quick and easy

### Features

- Timer Function
  - ▶ Automatically turns off load - ideal for bathroom light/fan control
  - ▶ 15 presets, locally or scene-link controlled
- True rocker action
  - ▶ Both ON/OFF, dimming and timer capabilities
  - ▶ 200 dimming steps and Resume Dim
  - ▶ Adjustable (faster) response time and fade rate
- Manual scene-link changes with rocker/buttons
  - ▶ Add or delete devices from scene with 7 or 8 taps
  - ▶ Adjust linked devices' light levels and save with 7 taps
- Interchangeable rocker assemblies
  - ▶ Change color in the field
  - ▶ Higher flexibility / lower inventory costs
- Thinner depth profile allows easy installation
- Dedicated Remote Switch (Model USR) connection
  - ▶ Provides inexpensive 3 or more-way control option
- Max Load: 900W
- Rocker Color: White (Optional, ZS11 Series, rocker colors include: White, Almond, Light Almond, Ivory, Black, or Brown)

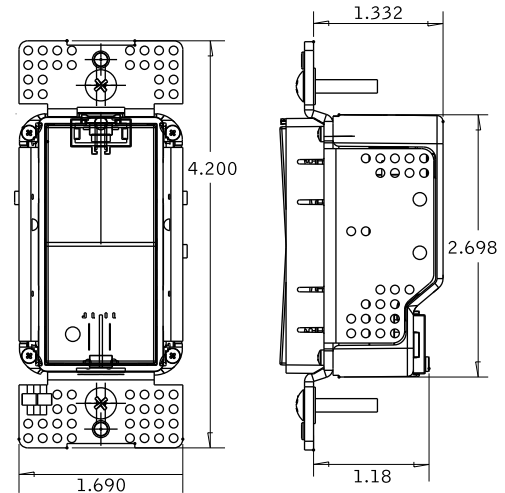
### Ganging and Derating

# of j-box Gangs	# of Dimmers in j-box			
	1	2	3+	
1	600W	--	--	
2	800W	500W	--	
3+	900W	700W	500W	

## Simply Automated, Incorporated

6108 Avenida Encinas, Suite B, Carlsbad, CA 92011 USA  
 800-630-9234 • Office 760-431-2100 • Fax 760-431-2101  
[sales@simply-automated.com](mailto:sales@simply-automated.com) www.Simply-Automated.com

### Dimensions



### Specifications

- Power: 120VAC +/- 10%, 60Hz  
 Max Load: 900W at 120VAC (7.5A)  
 (see below for derating details)
- Connections: 6" stranded pigtails, #16 AWG for power/load, #20 AWG for multi-way traveler(s)
- Wiring:
 

Black	AC Line
White	AC Neutral
Brown	Load (to fixture)
Brn / Wht	Traveler 1
- Operating Temperature: 30-120°F (0-50°C)
- Physical:
  - Dimensions: 4.2"H x 1.7"W x 1.6"D (107 x 43 x 41mm)
  - depth inside J-box = 1.33"
  - Weight: 3.8 oz (108g)
  - Mounting: standard J-box

Prices and specifications are subject to change without notice.

Manual scene-link modification capabilities are unique to Simply Automated devices. A user can easily change existing scenes, adding or removing devices and adjusting light levels, by pressing rocker/buttons in a specific sequence (see User Guide for details) without using UPStart.



Home Automation Made Simple.