

Anywhere 3-Rocker Switch

Remote Lighting Control

- **Virtual Lighting Control**

The Anywhere 3-Rocker Switch (US2-V03) is another starting point to remote virtual lighting control allowing you turn on/off lights anywhere in your home.

- **Easy to Use**

- Top rocker turns on/off local lighting circuit – and remote Anywhere switches and modules set on channel 2
- Bottom left and right rockers turn on/off remote Anywhere switches and modules set on channel 1 and 4
- Blue-Green status LED on/off local load status display
- 900W maximum output, 1W minimum for LED fixtures
- No new wires, advanced powerline communication technology – transmits over 1 mile on a 14 gage wire circuit
- No traveler wires or batteries required

- **Professional Grade**

- Built-in thermal overload protection for added safety
- Patented heat sink design ensures cool operation and long life
- Replaces existing mechanical switch and uses same wires – white neutral wire connection required
- Controls incandescent, fluorescent, halogen, LED, magnetic and electronic low-voltage lighting transformers & ballasts

- **Powerful Easy to Install Expansion Capabilities**

Combine with **Anywhere 3-Way Switch Kits (V3WAY)** for 4-way virtual lighting control, turn on/off 3 or more different light circuits anywhere in your home – rear patio light + garage light from your front entry / living room light + hallway light from garage entry / front light + rear patio light from master bedroom. Endless possibilities...

Combine **Anywhere 3-Rocker Switch (US2-V03)** with **Anywhere Single-Rocker Switch (US1-V0)**, **Plug-In Appliance Relay Module (UMA-V0)**, **Wire-In Fixture Relay Module (UFR-V0)** or **Controlled Receptacle (URD-V0)** for virtual lighting and appliance control throughout your home. Allows you to turn on/off 1, 2, 3, 4, 5, or more lights or appliances anywhere in your home. Endless possibilities!

- **Optional Rocker Color Change Kits**

- Removable rockers for easy color change
- Gloss white, almond, light almond, ivory, black or brown.

Local Load &
Channel #2 →

← Channel #1 →

← Channel #4



Anywhere 3-Rocker Switch
Model: US2-V03

DESCRIPTION

Model US2-V03 Anywhere Switch includes one (1) high quality, professional grade (120VAC/60Hz), on/off switch with 3-rocker gloss white faceplate. Replaces existing mechanical switch and uses the existing switch wires (white neutral wire required) to provide local and remote lighting control - no traveler wires or batteries needed.

Has a 900 Watt maximum (1 Watt minimum) output circuit wire to control any light (or load) circuit. Pressing the top of the top-rocker turns on output circuit wire (status LED shines green). Pressing the bottom of the top-rocker turns off output circuit (status LED shines blue). Pressing top/bottom of bottom-rockers turn on/off remote virtual switches and modules that are set on channels 1 and 4. Top-rocker can also turn on/off remote virtual switches and modules that are set on channel 2.

Up to four separate virtual control zones (channels) can be used in a home! And, with the US2-V03 you can simply change (remove / replace) the 3-rocker faceplate (ZS23) to either a 2- or a 4-rocker faceplate (ZS22 or ZS24), if desired. Employs Simply Automated's advanced powerline communication technology. No radio frequency (RF) emissions, used in tens of thousands of homes.

The switches have a thermal overload protection mechanism that turn the switch off if it gets too hot, automatically turns back on after it cools.

Anywhere virtual switches and modules can also respond to multiple channels, for functions like "All On/Off". For more information go to http://www.simply-automated.com/Anywhere_Virtual_3-way_Applications.php

Anywhere Virtual Accessory Switch

Model: US2-V03

SPECIFICATIONS

Power: 120VAC +/- 10%, 60Hz (GFI/AFI compatible)

Load: 1 W minimum, 900 W maximum, 7.5 Amps at 120VAC, per switch. *See table for ganging & derating details.

Output: Triac output configured for On/Off control (default).

Connections: 6" stranded wires, #16 AWG for power & load

Operating Temperature: 30 to 120°F (0 to 50°C)

Weight: 4.4 Oz. (125g) Net, 6.6 Oz. (187g) Gross

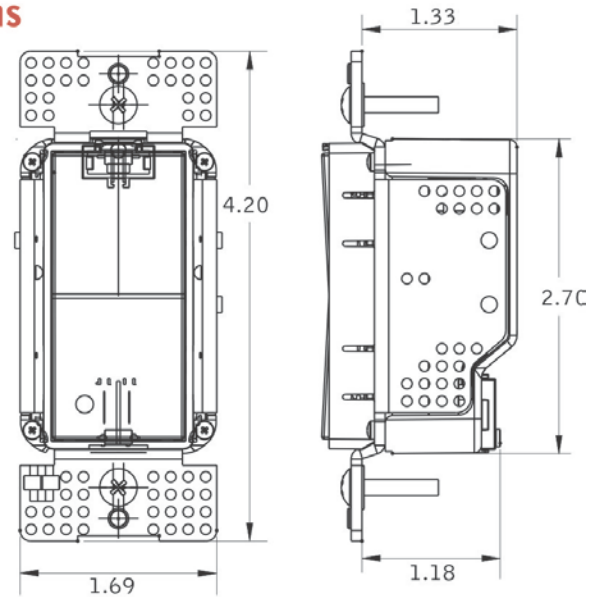
Mounting: Standard Junction Box

Wiring: Black; AC Line
White; AC Neutral
Brown; Load (to fixture)

For Indoor (or weather protected) Use Only

*Ganging & Derating		# of US1 switches in j-box		
		1	2	3
# of j-box Gangs	1	600 W	--	--
	2	800 W	500 W	--
	3+	900 W	700 W	500 W

Dimensions



ORDERING INFORMATION

Models:

US2-V03; Anywhere 3-Rocker Virtual Switch, White
US2-V02; Anywhere 2-Rocker Virtual Switch, White
US2-V04; Anywhere 4-Rocker Virtual Switch, White
ZS22-*; Color Change Kit, (1) 2-Rocker Faceplate
ZS23-*; Color Change Kit, (1) 3-Rocker Faceplate
ZS24-*; Color Change Kit, (1) 4-Rocker Faceplate
* Specify color: "A" Almond, "BK" Black, "BN" Brown
"I" Ivory, "LA" Light Almond & "W" White

Accessory Models:

US1-V0; Anywhere 1-Rocker Virtual Switch, White
V3WAY-A; Anywhere Virtual 3-Way Switch Kit (2, 1 rocker switches)
V3WAY-B; Anywhere Virtual 3-Way Switch Kit (1, 1 rocker & 1, 2 rocker)
UCS-V0; Anywhere Scheduler-Timer Controller
UFR-V0; Anywhere Virtual Wire-In Relay Module
UMA-V0; Anywhere Virtual Plug-In Relay Module
URD-V0;** Anywhere Virtual Receptacle Outlet, Ivory
** Specify color: "A" Almond, "I" Ivory, "LA" Light Almond & "W" White

Anywhere Virtual Accessory Switch (US2-V0) - Circuit Requirements

- Hot and neutral (black and white wire) power connections are required at switch locations.
- Controls incandescent, fluorescent, halogen, LED, magnetic and electronic low-voltage lighting transformers & ballasts (1 Watt Min., 900 Watts Max.). Ballasts for 120VAC Metal-halide or Mercury/Sodium fixtures may need to be isolated (see model: ZNF10A). Controls 120VAC/60Hz motors up to 7.5 Amps Max.
- Up to 4 separate virtual control zones can be used in a home, using the 4 available communication channels. Optionally, use Scheduler-Timer (model UCS) to expand, add secondary receive channel for 'All On/Off'.
- Installation of switches and devices should be on the same circuit (breaker) for maximum communication distance. If switches are on different circuits, they should be on the same phase power for maximum communication distance, i.e., both switches on phase A, or phase B circuit breakers (phase alignment).
- If using both phase A and B circuits, and the home has more than 1 breaker panels or is more than 2500 sq. ft., a phase coupler is recommended for optimum performance, (see model ZPCI).
- Not intended for use in 3-phase (commercial/condo) applications unless the switches are on the same breaker or phase.

The Anywhere Series is not compatible with any of Simply Automated's PC-Configured, Pre-Configured, Simply Smart™, or other UPB or UPStart configured products.



Simply Automated, Incorporated

6108 Avenida Encinas, Suite B, Carlsbad, CA 92011

760-431-2100 / 800-630-9234

www.Simply-Automated.com

Email: sales@simply-automated.com

Tech Support: upbhelp@simply-automated.com