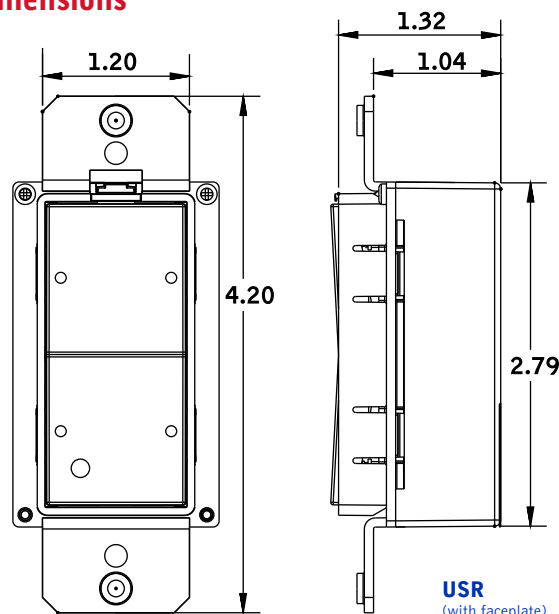


SimplyBrilliant™ Universal Dedicated Remote Switch works with Standard and Universal Transceiver Switches to provide ultra-reliable 3 or more way control of new and existing lighting fixtures, lamps, and other electrical devices connected to Universal Powerline Bus (UPB) plug-in modules, or fixture modules anywhere in the home.



Dimensions



Features

- **Interchangeable rocker assemblies**
 - ▶ Change color and functionality in the field
 - ▶ Reduce inventory costs
- **True rocker action**
 - ▶ Both ON/OFF and dimming capabilities
- **Thinner depth profile allows easy installation**
- **Provides inexpensive 3 or more-way control**
- **Colors:** White, Almond, Ivory, Black, Brown

Dedicated Remote Switch Base

(Requires Faceplate)

USR Dedicated Remote Switch Base

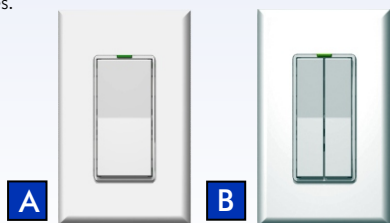
Rocker Faceplates

Standard Colors (Gloss Finish): White (W), Almond (A), Ivory (I), Brown (BN), Black (BK)

- A **ZS11** Single
 B **ZS12** Dual

Color-matched to Leviton® Decora® faceplates.

SimplyBrilliant™ brand Dedicated Remote switches must be used with SimplyBrilliant™ dimming transceiver switches.



Specifications

Power: 120VAC +/- 10%, 60Hz
Input Current: 1.5mA

Connections: 6" stranded pigtails
 #16 AWG for power

Wiring:

Black	AC Line or Load
White	AC Neutral
Brn / Wht	Traveler 1
Red / Wht	Traveler 2

Operating Temperature: 30-120°F (0-50°C)

Physical:
Dimensions: 4.2"H x 1.7"W x 1.3"D (107 x 43 x 34mm)
 depth inside J-box = 1.04"

Weight: 1.4 oz (40g)
Mounting: standard J-box

Prices and specifications are subject to change without notice.

Simply Automated, Incorporated

5825 Avenida Encinas, Suite 101, Carlsbad, CA 92008 USA
 800-630-9234 • Office 760-431-2100 • Fax 760-431-2101
 sales@simply-automated.com www.Simply-Automated.com



Home Automation Made Simple.