

## Anywhere 3-Way Switch Kit

### Remote Lighting Control

- **Virtual Lighting Control**

Turn on/off lights from anywhere in your home – front entry, rear patio, hallway, garage, master bedroom, remote flat, attic basement, kitchen, living room, dining area, also controls motors, pumps, and appliances. Endless possibilities...

- **Easy to Use**

- Press top/bottom of rocker to turn on/off both switches
- Blue-Green status LED on/off status display
- 900W maximum output, 1W minimum for LED fixtures
- No new wires, advanced powerline communication technology – transmits over 1 mile on a 14 gage wire circuit
- No traveler wires or batteries required

- **Professional Grade Switches**

- Built-in thermal overload protection for added safety
- Patented heat sink design ensures cool operation and long life
- Replaces existing mechanical switches and uses same wires – white neutral wire connection required
- Controls incandescent, fluorescent, halogen, LED, magnetic and electronic low-voltage lighting transformers & ballasts

- **Optional Rocker Color Change Kits**

- Removable rockers for easy color change
- Gloss white, almond, light almond, ivory, black or brown.

- **Powerful Easy to Install Expansion Capabilities**

- Combine with **Anywhere Switch** (US1-V0) for 4-way virtual lighting control, turn on/off 3 different light circuits from anywhere in your home – rear patio light + garage light from your front entry / living room light + hallway light from garage entry / front light + rear patio light from master bedroom, endless possibilities...

Combine with **Plug-In Appliance Relay Module** (UMA-V0), **Wire-In Fixture Relay Module** (UFR-V0) or **Controlled Receptacle** (URD-V0) for remote lighting and appliance control throughout your home. Allows you to turn on/off 1, 2, 3, 4, 5, or more lights or appliances from anywhere in your home. Endless possibilities!

## DESCRIPTION

**Model V3WAY-A** Anywhere 3-Way Switch Kit includes two (2) high quality, professional grade (120VAC/60Hz), on/off switches with gloss white faceplates. Used to replace existing mechanical switches and use the existing switch wires (white neutral wire required) to provide 3-way control - no traveler wires or batteries needed.



**Anywhere 3-Way Switch Kit**

Virtual Remote Lighting Control  
Includes Two (2) Anywhere Switches  
Model: V3WAY-A

Each switch has a 900 Watt maximum (1 Watt minimum) output circuit wire to control any light (or load) circuit. Pressing the top of the rocker turns on both switches (status LED shines green). Pressing the bottom of the rocker turns off both switches (status LED shines blue). Status LEDs tell if the remote light/load is on or off.

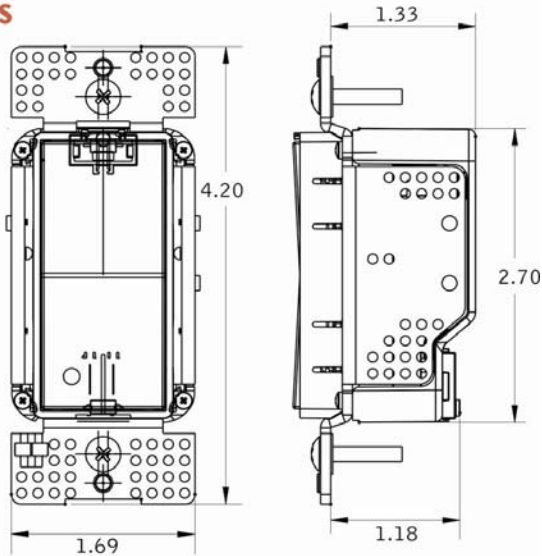
Up to four Anywhere 3-Way Switch Kits and accessories can be used in a home, allowing four separate virtual control zones!

Employs Simply Automated's advanced powerline communication technology. No radio frequency (RF) emissions, used in tens of thousands of homes.

The switches have a thermal overload protection mechanism that turn the switch off if it gets too hot, automatically turns back on after it cools.

**Anywhere Virtual 3-Way Switch Kit**  
 Includes 2 model US1-VO Anywhere Switches  
 Model: V3WAY-A

**Dimensions**



**SPECIFICATIONS**

- Power:** 120VAC +/- 10%, 60Hz (GFI/AFI compatible)
- Load:** 1 W minimum, 900 W maximum, 7.5 Amps at 120VAC, per switch. \*See table for ganging & de-rating details.
- Output:** Triac output configured for On/Off control (default).
- Connections:** 6" stranded wires, #16 AWG for power & load
- Operating Temperature:** 30 to 120°F (0 to 50°C)
- Weight:** 4.4 Oz. (125g) Net, 6.6 Oz. (187g) Gross
- Mounting:** Standard Junction Box

*Ganging & Derating		# of US1 switches in j-box		
		1	2	3
# of j-box Gangs	1	600 W	--	--
	2	800 W	500 W	--
	3+	900 W	700 W	500 W

- Wiring:** Black; AC Line  
 White; AC Neutral  
 Brown; Load (to fixture)

**For Indoor (or weather protected) Use Only**

**Anywhere Virtual 3-Way Switch Kit - Requirements**

- Hot and neutral (black and white wire) power connections are required at both switch locations.
- Controls incandescent, fluorescent, halogen, LED, magnetic and electronic low-voltage lighting transformers & ballasts (1 Watt Min., 900 Watts Max.). Ballasts for 120VAC Metal-halide or Mercury/Sodium fixtures may need to be isolated (see model: ZNF10A). Controls 120VAC/60Hz motors up to 7.5 Amps Max.
- Up to 4 Anywhere 3-Way Switch Kits and accessories can be used in a home, using the 4 available communication channels.
- Installation of both switches should be on the same circuit (breaker). If switches are on different circuits, they should be on the same phase power, i.e., both switches on phase A, or phase B circuit breakers.
- If a home is more than 2500 sq. ft, phase coupler is recommended for optimum performance, (see model ZPCI)
- Not intended for use in 3-phase (commercial/condo) applications unless the switches are on the same breaker or phase.

The Anywhere Series is not compatible with any of Simply Automated's PC-Configured, Pre-Configured, Simply Smart™, or other UPB or UPStart configured products.



**Simply Automated, Incorporated**  
 6108 Avenida Encinas, Suite B, Carlsbad, CA 92011  
 760-431-2100 / 800-630-9234  
[www.Simply-Automated.com](http://www.Simply-Automated.com)  
 Email: sales@simply-automated.com  
 Tech Support: upbhelp@simply-automated.com